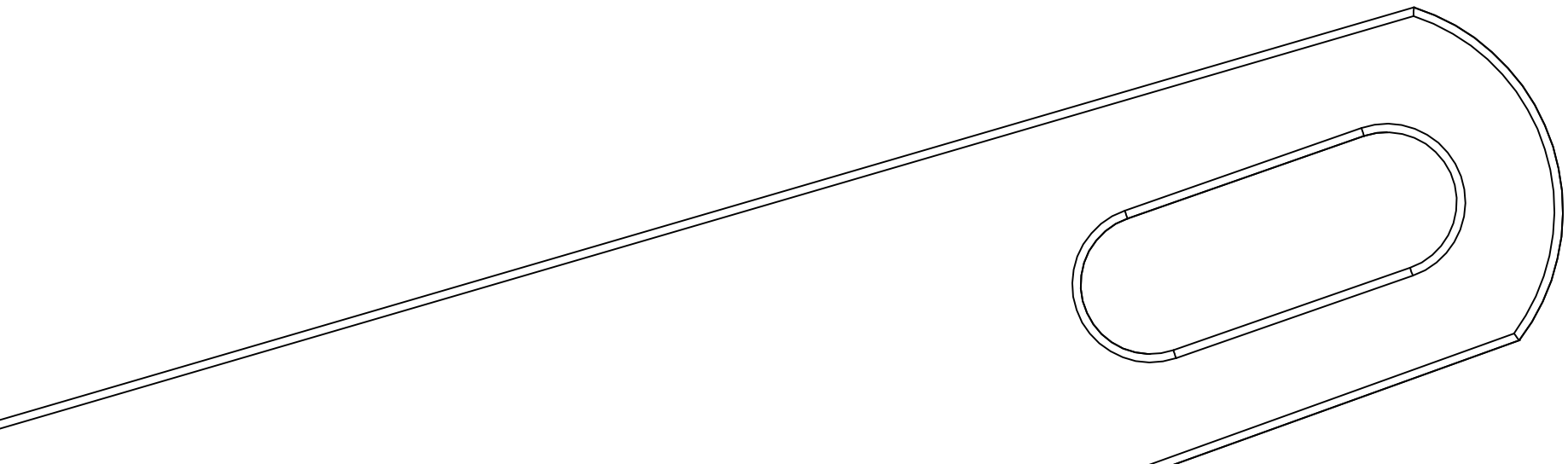
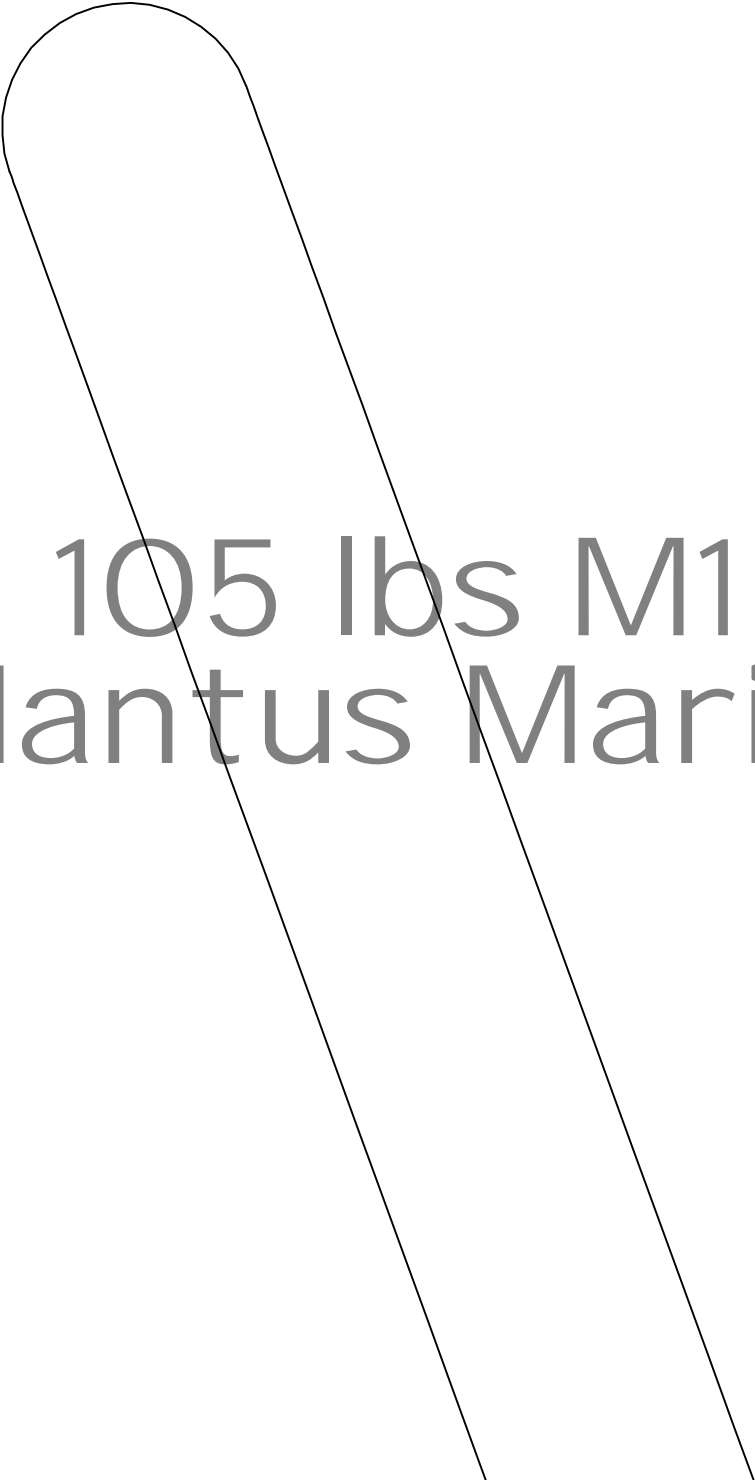


105 lbs M1  
Mantus Marine

105 lbs M1  
Mantus Marine





105 lbs M1  
Mantus Marine

105 lbs M1  
Mantus Marine

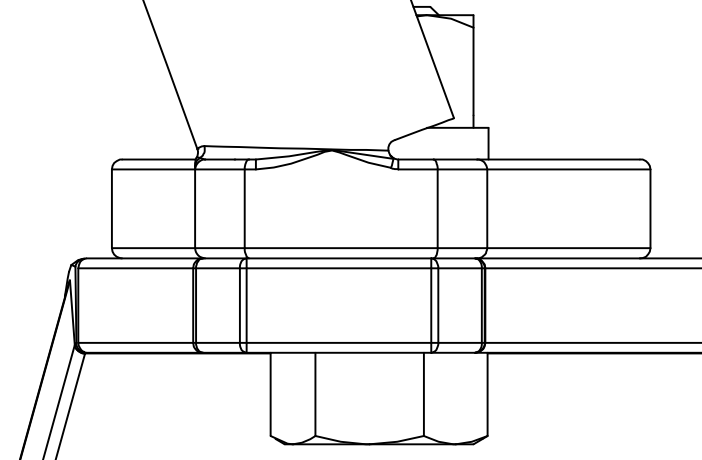
105 lbs M1  
Mantus Marine

105 lbs M1  
Mantus Marine



105 lbs M1  
Mantus Marine

105 lbs M1  
Mantus Marine

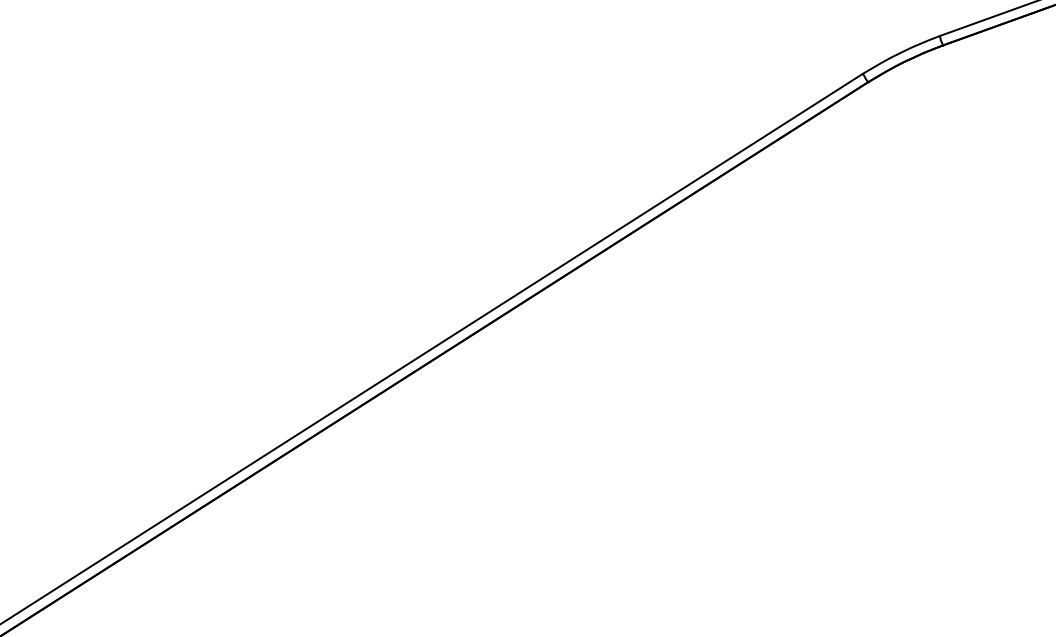






105 lbs M1  
Mantus Marine

The image shows a technical line drawing of a boat's hull structure. A circular hole is located in the upper right quadrant of the hull. The text '105 lbs M1' and 'Mantus Marine' is centered over the hull. The drawing includes various structural lines and curves, indicating the shape of the hull and the placement of the hole.



105 lbs M1  
Mantus Marine

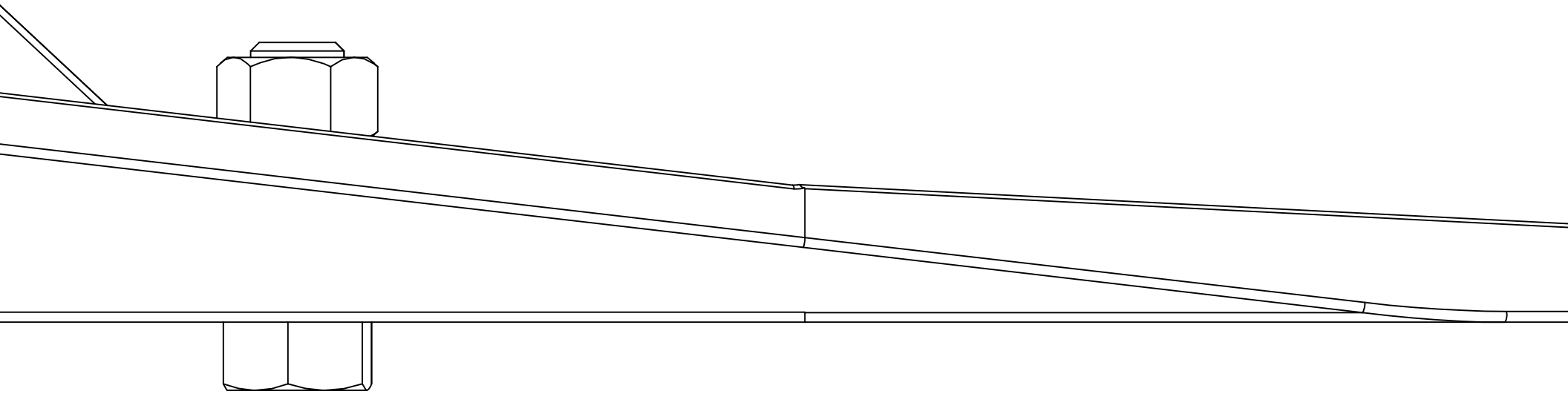


105 lbs M1  
Mantus Marine

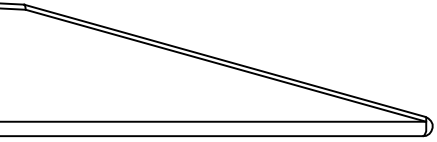


105 lbs M1  
Mantus Marine

The image shows a technical drawing of a boat hull section. At the top, there are two curved lines representing the hull's profile. Below these, a horizontal line represents the deck or a structural member. Underneath this horizontal line, there is a small, rectangular, three-lobed structure, possibly a keel or a support. The text '105 lbs M1' and 'Mantus Marine' is centered below the drawing.



105 lbs M1  
Mantus Marine



105 lbs M1  
Mantus Marine