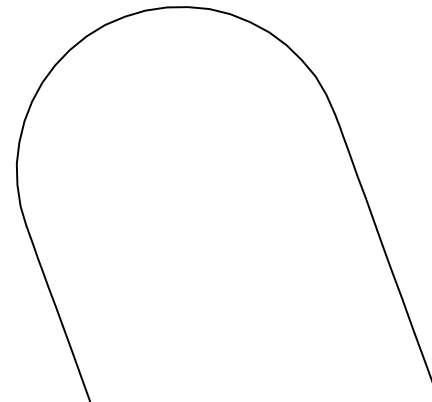
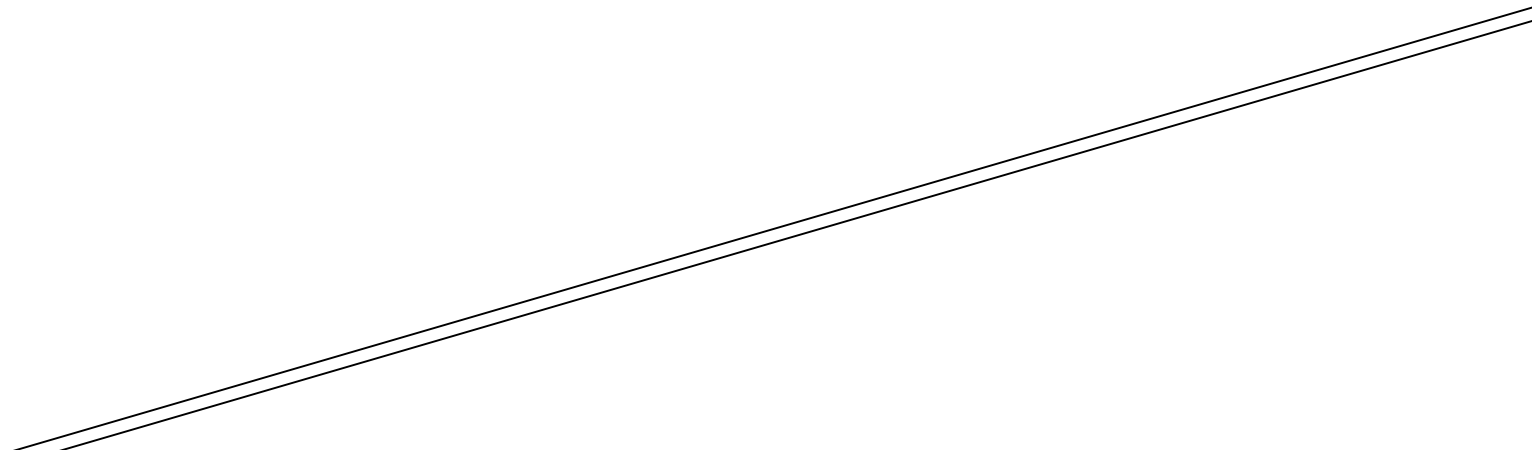


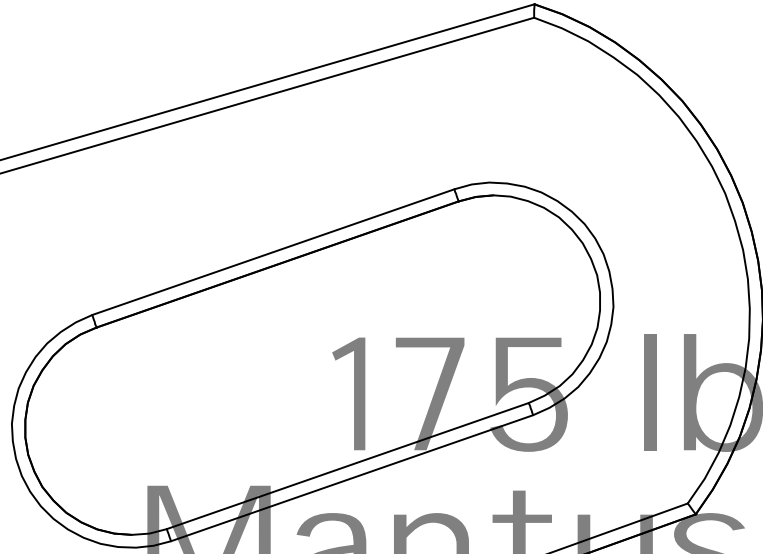
175 lbs M1  
Mantus Marine



175 lbs M1  
Mantus Marine



175 lbs M1  
Mantus Marine

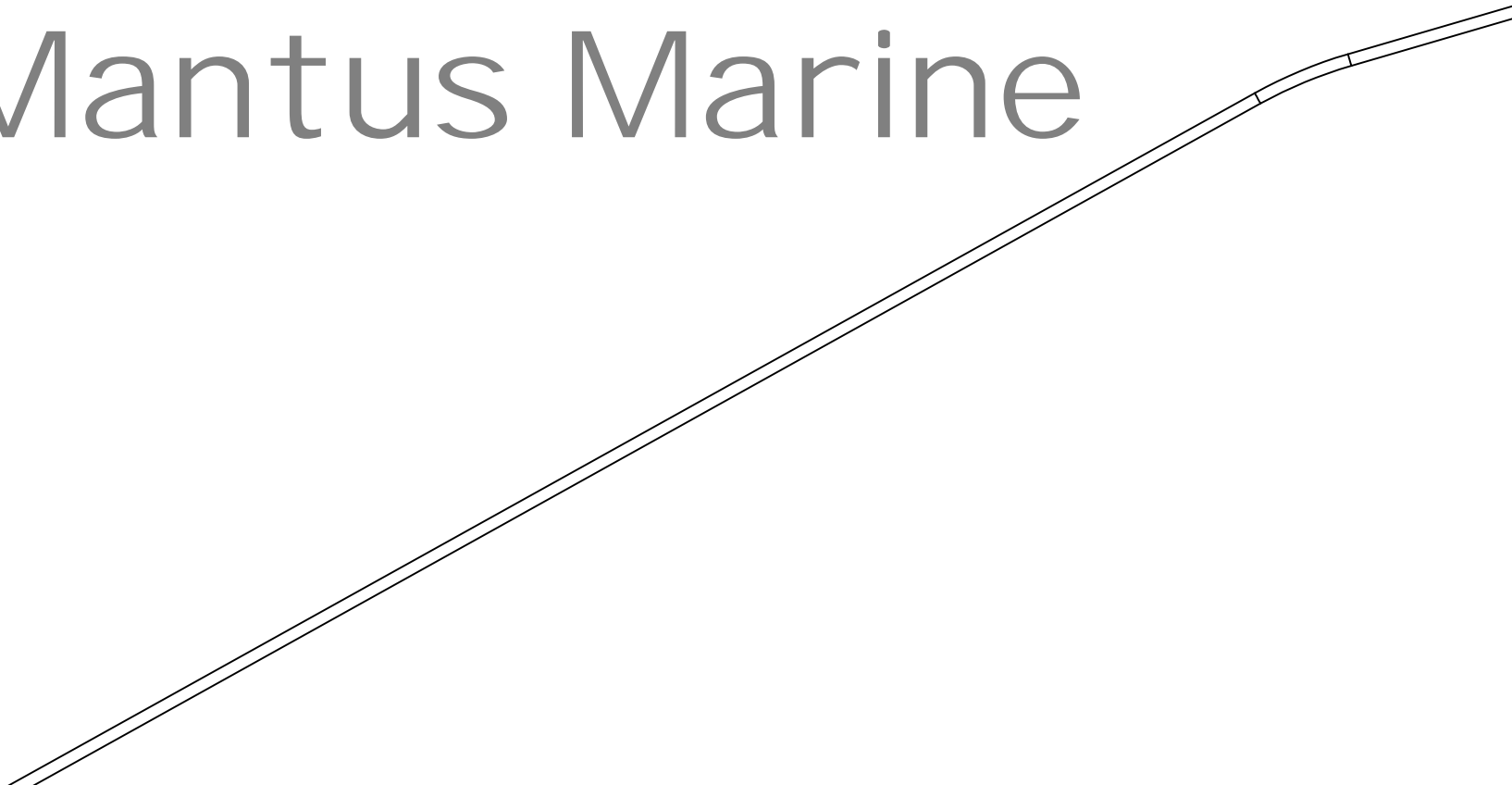


175 lbs M1  
Mantus Marine

175 lbs M1  
Mantus Marine

175 lbs M1  
Mantus Marine

175 lbs M1  
Mantus Marine





175 lbs M1  
Mantus Marine



175 lbs M1  
Mantus Marine

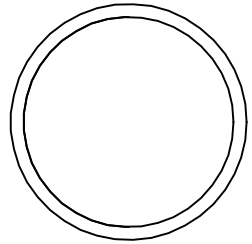


175 lbs M1  
Mantus Marine

175 lbs M1  
Mantus Marine



175 lbs M1  
Mantus Marine

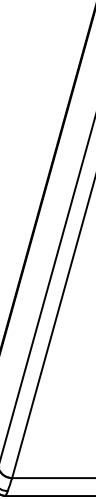


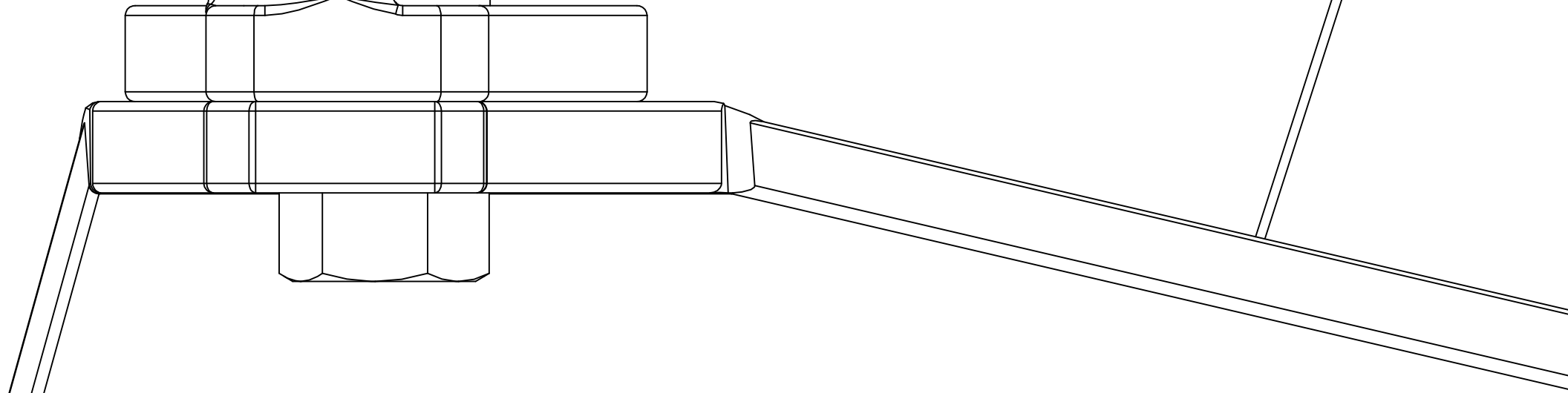
175 lbs M1  
Mantus Marine



175 lbs M1  
Mantus Marine

175 lbs M1  
Mantus Marine

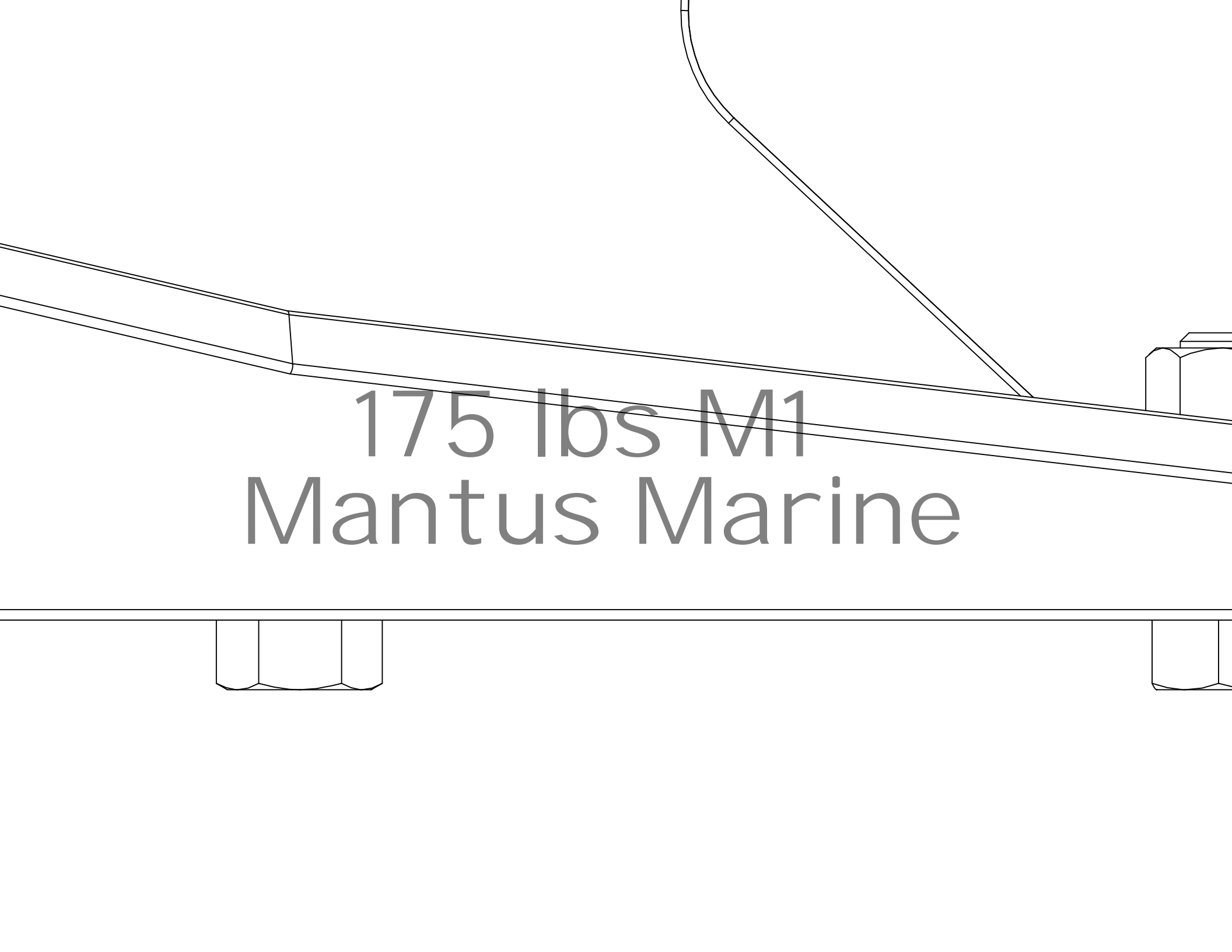




175 lbs M1  
Mantus Marine


---





175 lbs M1  
Mantus Marine

This technical drawing shows a side view of a boat's transom assembly. A horizontal line represents the transom, with two rectangular blocks below it representing mounting brackets. A curved line above the transom represents the hull's bottom edge. A diagonal line from the top right represents the hull's side. A vertical line on the right side represents the transom's edge. The text '175 lbs M1' and 'Mantus Marine' is centered over the drawing.



175 lbs M1  
Mantus Marine

The image shows a technical drawing of a tapered beam. The beam is supported at its left end by a rectangular block. A weight, represented by a rectangular block with a smaller block on top, is placed on the top surface of the beam. The beam tapers from left to right. The text '175 lbs M1' and 'Mantus Marine' is overlaid on the beam.

175 lbs M1  
Mantus Marine

