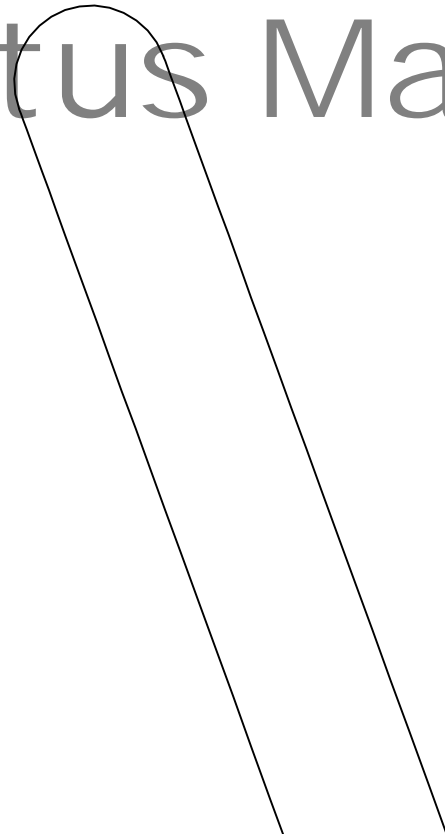
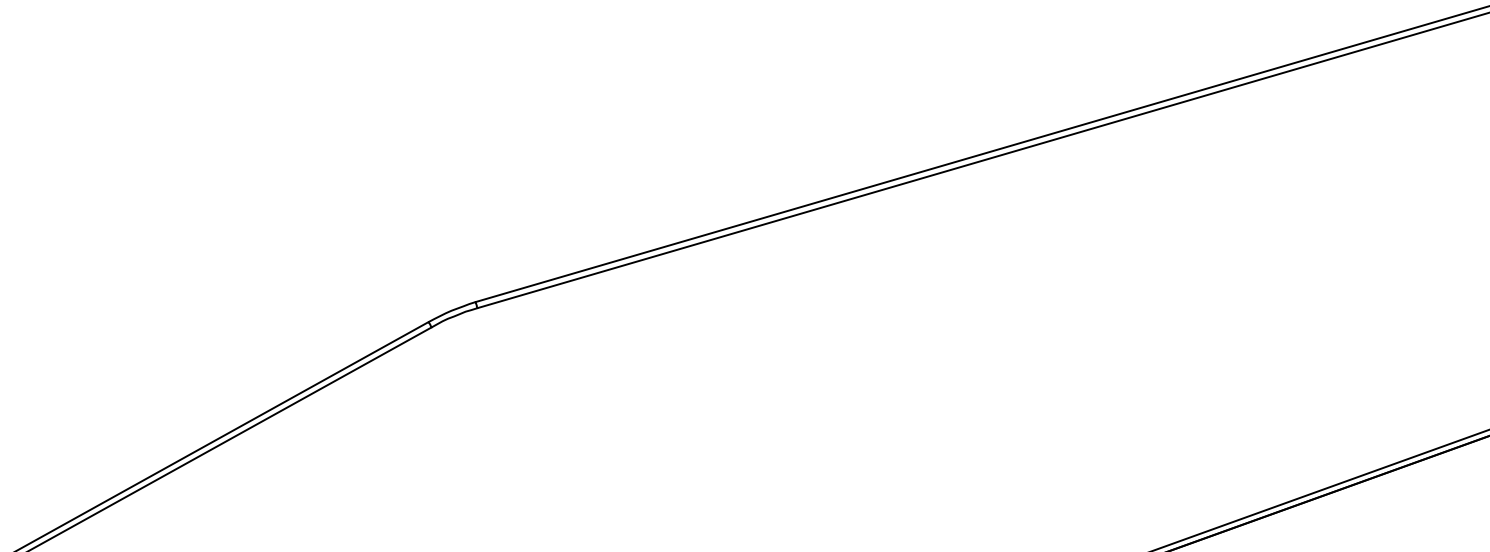


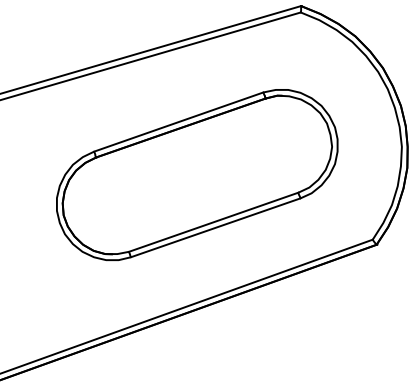
25 lbs M1  
Mantus Marine



25 lbs M1  
Mantus Marine

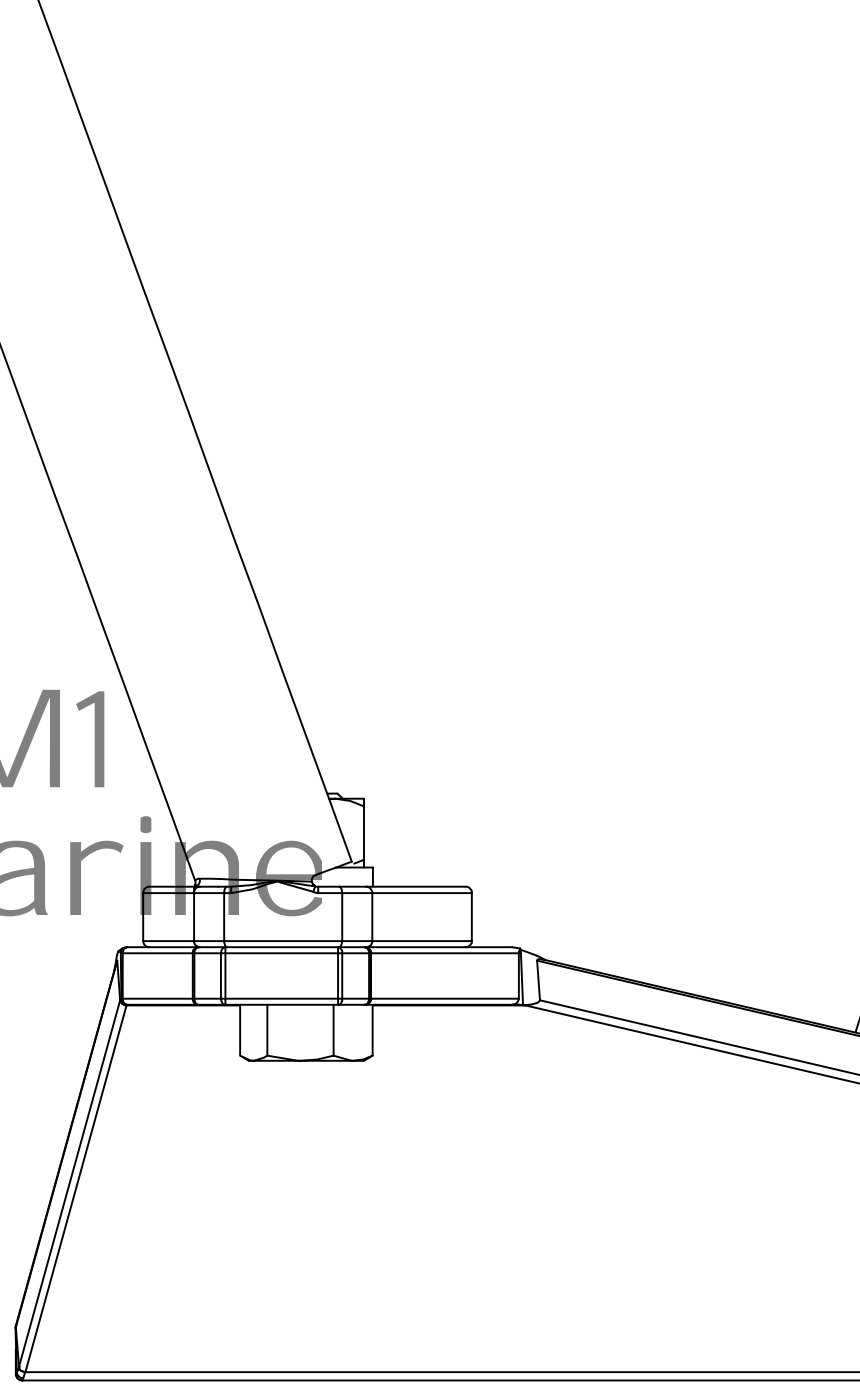


25 lbs M1  
Mantus Marine



25 lbs M1  
Mantus Marine

25 lbs M1  
Mantus Marine





25 lbs M1  
Mantus Marine

The image is a technical line drawing of a boat hull section. It shows a curved hull structure with a flat deck on top. A circular hole is located on the upper left side of the hull. A weight, labeled '25 lbs M1', is positioned on the deck. The hull is supported by a base structure with three visible mounting points or bolts. The text 'Mantus Marine' is printed below the weight label.

25 lbs M1  
Mantus Marine

