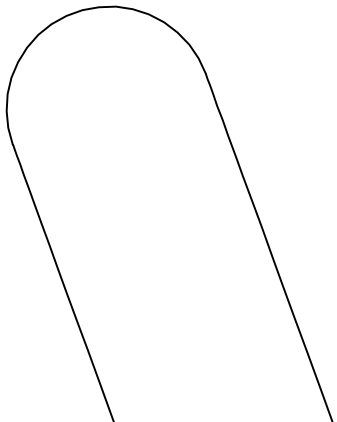


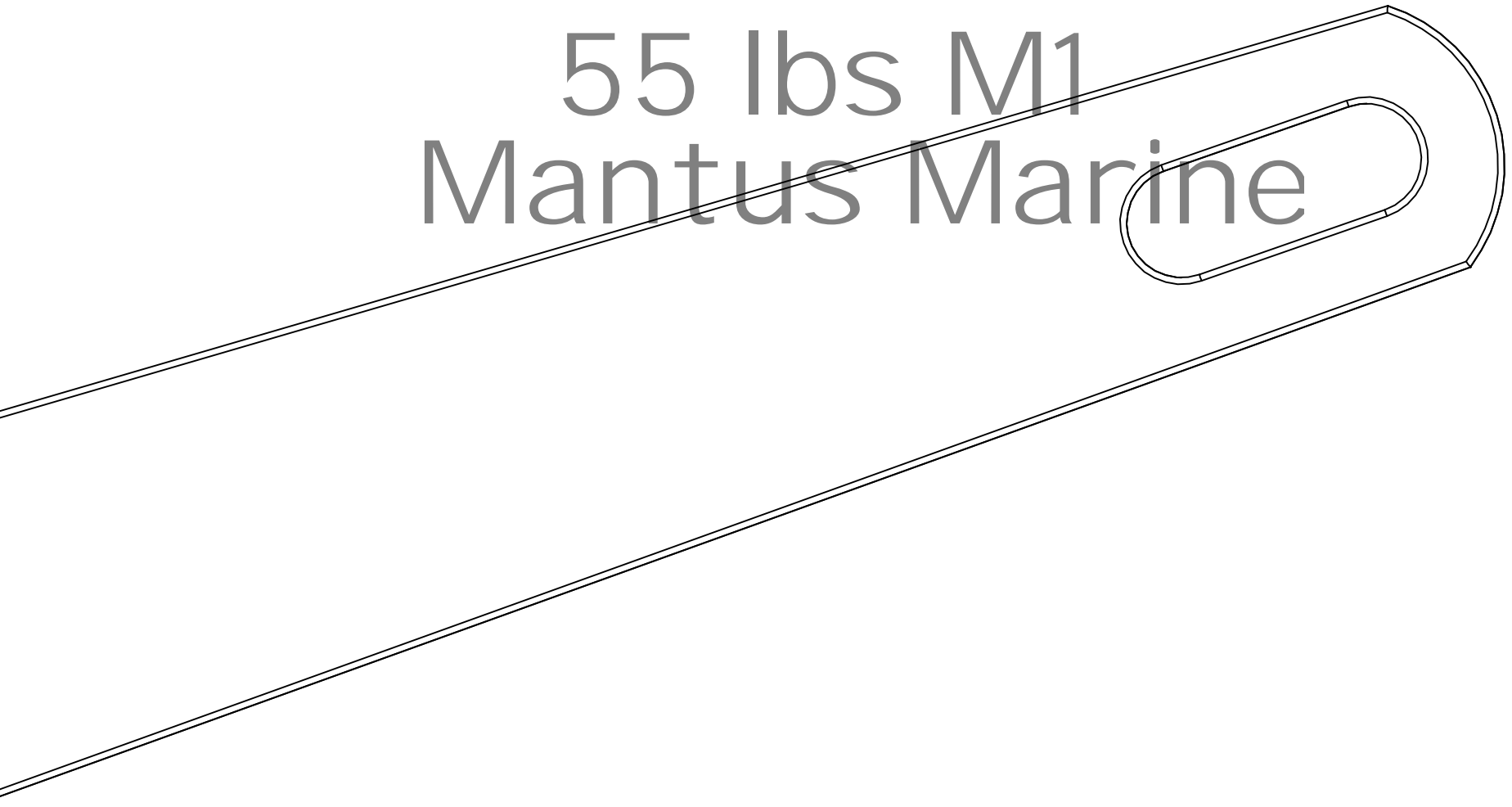
55 lbs M1  
Mantus Marine



55 lbs M1  
Mantus Marine

A decorative graphic consisting of two parallel lines that slope upwards from the bottom left towards the right edge of the page.

55 lbs M1  
Mantus Marine



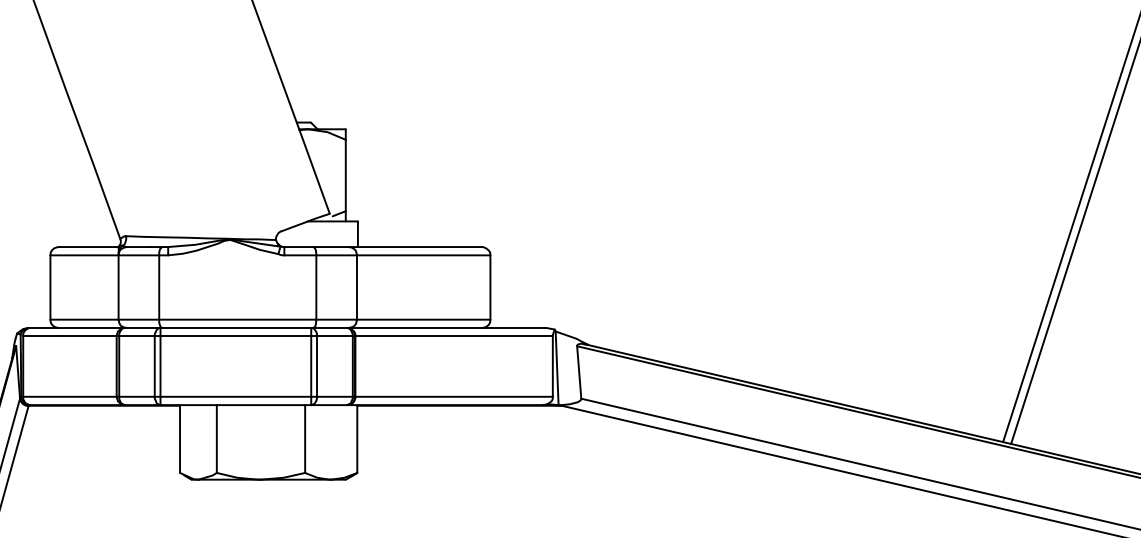
55 lbs M1  
Mantus Marine



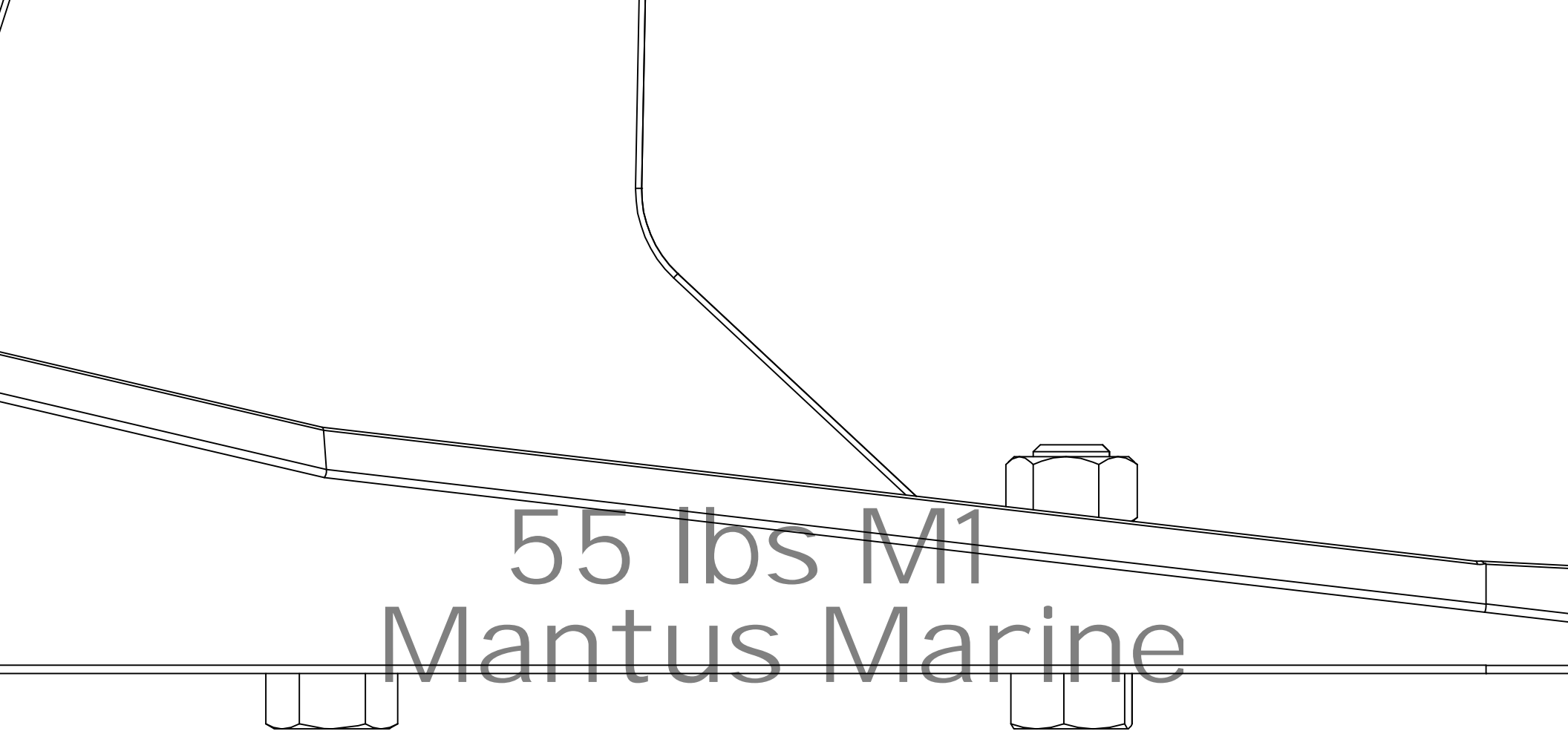
55 lbs M1  
Mantus Marine

The image shows a technical drawing of a curved metal component, likely a part of a boat's hull or a marine structure. The drawing consists of two parallel lines representing the thickness of the material. The top edge is a smooth curve that starts at the left and extends towards the right. A circular hole is located on the left side of the upper curve. The bottom edge is also a curve, starting from the left and extending towards the right, with a vertical section at the far left end. The text '55 lbs M1' and 'Mantus Marine' is centered in the middle of the drawing.

55 lbs M1  
Mantus Marine



55 lbs M1  
Mantus Marine



55 lbs M1

Mantus Marine



55 lbs M1

Mantus Marine

