

Assembly Instructions

M MANTUS
ANCHORS



Package Contents:

Anchor fluke, shank, roll bar, 4 shank bolts, 2 roll bar bolts, 6 nuts, 6 locking washers, lubricant.

Step 1 – Insert the bolts from the bottom of the fluke as shown here, and apply lubricant liberally to the four bolts. *Figure 1.*

Step 2 - Assemble the fluke and the shank as seen in figure to below, then tighten the bolts from the bottom while holding the nuts on the top, until the lock washers are compressed.

The bolts should be inserted from the bottom and nuts/lock washers installed from the top. Tightening from the bottom avoids the lock washer galling the galvanized coating.



Fig 1

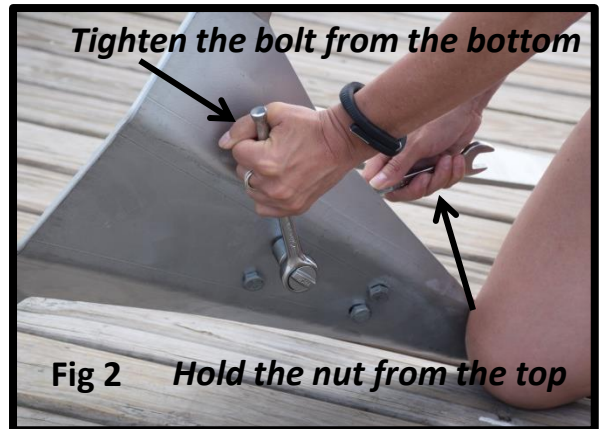
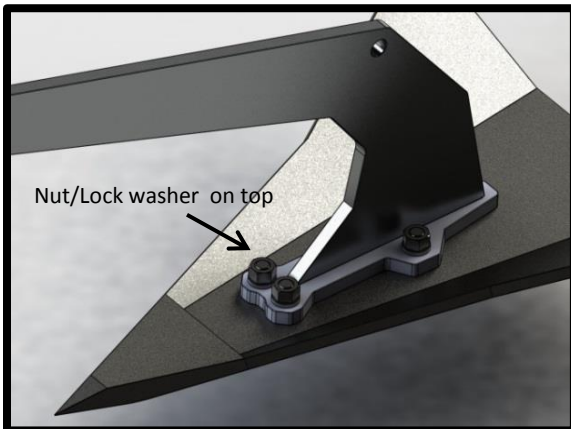


Fig 2 Tighten the bolt from the bottom
Hold the nut from the top

Step 3 - Lubricate bolts for the roll bar and repeat step number 2 for the roll bar/fluke joint.

Roll Bar should angle towards the back.

Figure 3.

Remember to tighten all nuts securely and to use locking washers with all bolts.

If you are missing any parts or require any help please email mantus@adventuretrimarans.co.uk or chat on our website.

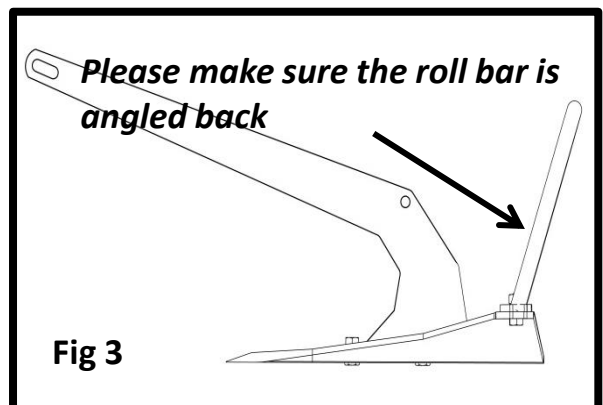


Fig 3